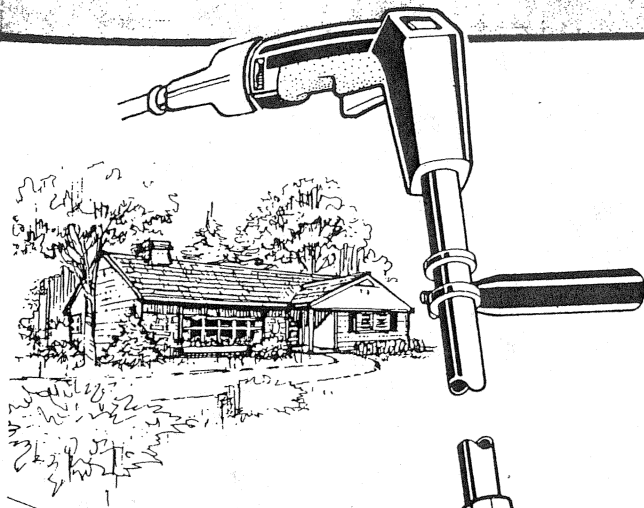




Black & Decker[®]

OWNER'S MANUAL

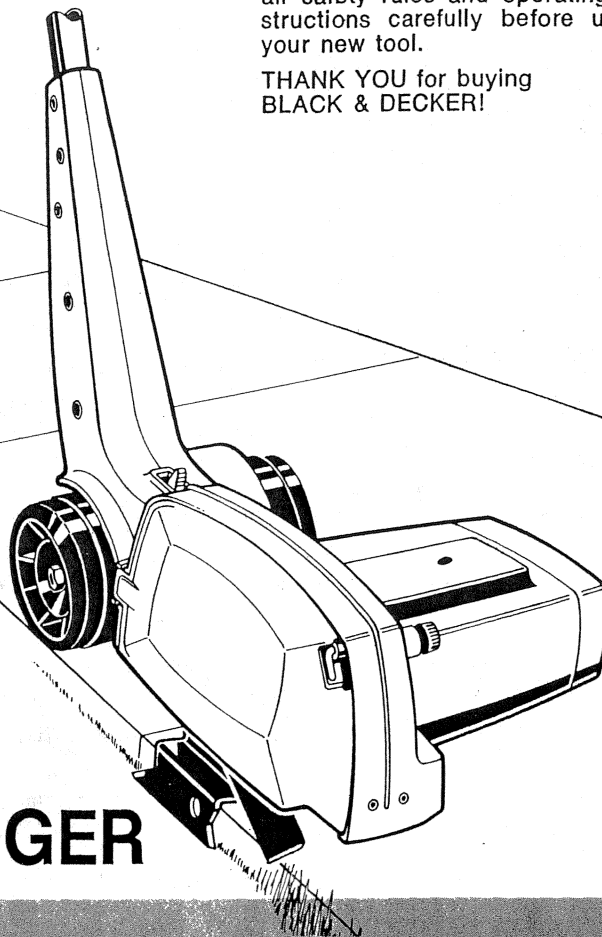


Neat, clean edges along your walks, driveway and curb will add appreciably to the appearance of your lawn. This edging can be rapidly completed with minimum effort when you use the Deluxe Lawn Edger. It is a sturdy, powerful tool, designed to do the job on the first pass.

Since this is a high speed cutting tool, safety in using it is of the utmost importance! Please read all safety rules and operating instructions carefully before using your new tool.

THANK YOU for buying
BLACK & DECKER!

DELUXE LAWN EDGER



SAFETY RULES FOR POWER TOOLS

1. **AVOID DANGEROUS ENVIRONMENT** — Don't use tools in damp or wet locations.
2. **KEEP CHILDREN AWAY** — All visitors should be kept a safe distance from work area.
3. **STORE IDLE TOOLS INDOORS** — When not in use, tools should be stored indoors in dry, high or locked-up place — out of reach of children.
4. **DON'T FORCE TOOL** — It will do the job better and safer at rate for which it was designed.
5. **USE RIGHT TOOL** — Do not use tool for any job except that for which it is intended.
6. **DRESS PROPERLY** — Do not wear loose clothing or jewelry. They can be caught in moving parts. Use of rubber gloves and substantial, rubber-soled footwear is recommended when working outdoors.
7. **DON'T ABUSE CORD** — Never carry tool by cord or yank it to disconnect from receptacle. Keep cord from heat, oil, and sharp edges.
8. **WARNING** — To prevent shock hazard use only with an extension cord suitable for outdoor use.
9. **DON'T USE IN RAIN.**
10. **DON'T OVERREACH** — Keep proper footing and balance at all times.
11. **MAINTAIN TOOLS WITH CARE** — Keep cutting edges sharp and clean for best and safest performance. Follow instructions for lubricating and changing accessories.
12. **DISCONNECT TOOLS** — Disconnect the tool from the power supply when not in use, before servicing, when changing accessories such as blades, etc.
13. **AVOID ACCIDENTAL STARTING** — Don't carry plugged-in tool with finger on switch. Be sure switch is off when plugging in.
14. **EXTENSION CORD** — To prevent disconnection of power tool from the extension cord during operation, use Adaptor (Fig. 4) or B&D Extension Cord which locks into tool's handle.
15. **DO NOT OPERATE** portable electric tools in gaseous or explosive atmospheres. Motors in these tools normally spark, and the sparks might ignite fumes.

ADDITIONAL SAFETY RULES FOR EDGER

1. Keep guards in place and in working order.
2. Keep blades sharp.
3. Keep hands and feet away from cutting area.
4. Keep power cord away from cutting head. If you cut or damage the cord, unplug it at the electrical outlet immediately, before inspecting or repairing cord.

IMPORTANT WARNING

When using the Edger, stones, pieces of metal and other objects can be thrown out at high speed by the blade. The tool and guard are designed to reduce the danger. However, the following special precautions should be taken:

1. Wear safety glasses or other eye protection.
2. Make sure that other persons and pets are at least 100 feet away. Always stand on left side of handle.
3. To reduce the risk of rebound (ricochet) injury, work going away from any nearby solid object such as a wall, steps, large stone, tree, etc. Use great care when working close to solid objects, and, where necessary, do edging or trimming by hand.

DOUBLE-INSULATION

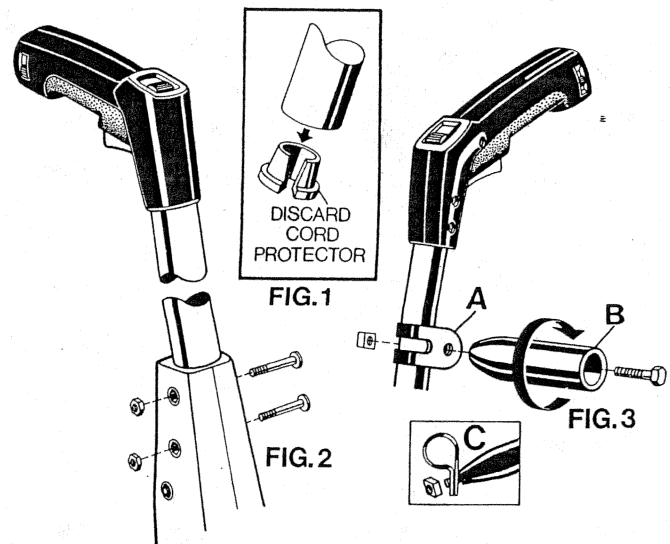
Your tool is DOUBLE-INSULATED to give you added safety. This means that it is constructed throughout with TWO separate "layers" of electrical insulation or one DOUBLE thickness of insulation between you and the tool's electrical system.

Tools built with this insulation system are not intended to be grounded. As a result, the extension cord used with your tool can be plugged into any conventional 120 volt electrical outlet without concern for maintaining a ground connection.

NOTE: DOUBLE-INSULATION does not take the place of normal safety precautions when operating this tool. The insulation system is for added protection against injury resulting from a possible electrical insulation failure within the tool.

CAUTION: When servicing Double Insulated Tools, Use ONLY IDENTICAL REPLACEMENT PARTS. Replace or repair damaged cords.

ASSEMBLING THE HANDLE



Assemble TUBULAR HANDLE first

1. Remove and discard plastic cord-protecting collar from lower end of metal tube (Figure 1).
2. Slide metal tube down into plastic housing so that holes will line up (Figure 2).
3. Fasten handle and housing together with two 1-5/16" long screws and hex nuts. Note that the hex nuts go on the side of the housing with the two hexagon shaped recesses, which keep the nuts from turning when you tighten the screws. Also note that when you first insert the screws it may be necessary to wiggle them carefully to get them past the jacketed wires inside the tube. NEVER use a sharp object to move jacketed wires out of the way.

Assemble SIDE HANDLE next — see Figure 3.

1. Slide the bracket "A" down the upper tube to a handle position which is comfortable for you. Use pliers, if necessary, to squeeze ends of bracket together. Attach side handle "B" on left side, as shown in Figure 3, with 1 3/8" long hex-head bolt and square nut. Cocking the bolt in the bracket, "C", will aid in starting the nut. When nut is finger tight, twist the handle in direction of arrow, "B", to fully tighten the bolt (head of bolt fits into a hexagon-shaped recess inside handle to keep bolt from turning).

EXTENSION CORD

Use only U.L. listed "outdoor" extension cords. To prevent loss of power and overheating, the size of the wires in an extension cord must be of adequate size. Use the table below to determine minimum wire size required.

Extension Cord Length	Up to 50 Ft.	50 Ft. to 150 Ft.	150 Ft. to 200 Ft.
Minimum { 120 Volt Tools	18	16	14
Wire Size* { 220 Volt Tools	18	18	16

*American Wire Gauge

NOTE: The lower the wire size number, the heavier the wire, and the farther it will carry current without a significant voltage drop.

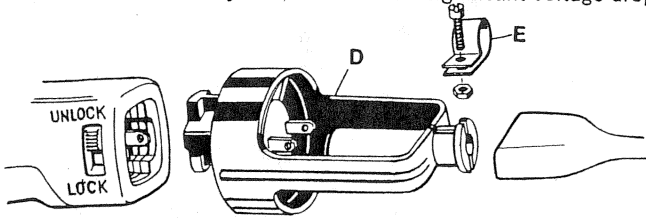
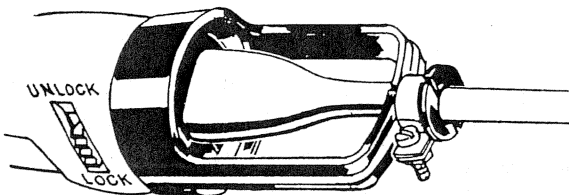


FIG. 4



A No. 86-210 (2 prong) Extension Cord Adaptor ("D," Figure 3), or a No. 86-200 3 prong Adaptor (not shown), is supplied with your tool. Either Adaptor will permit you to use practically any U.L. listed "outdoor" extension cord. To attach adaptor to extension cord, disconnect cord, spread "arms" of adaptor, and plug it into cord. Attach clamp "E" and tighten it firmly around extension cord. Adaptor can be left permanently attached to cord. 2-Wire or 3-Wire cords can be used with No. 86-210 Adaptor. **CAUTION: USE ONLY 3-WIRE EXTENSION CORDS WITH NO. 86-200 ADAPTOR.**

To plug the adaptor into the tool handle, the handle receptacle must be unlocked by pushing side buttons in a clockwise direction (facing opening in handle). To lock adaptor into handle, push buttons counter clockwise.

Before using any extension cord, inspect it for loose or exposed wires and damaged insulation. Make any needed repairs or replacement before using with your power tool.

Black & Decker U.L. listed Outdoor Extension Cords, that will lock into your tool's handle without needing the adaptor, are available from your dealer.

BLADE GUARD

The guard swings open for cleaning inside of housing or changing blades. ALWAYS UN-PLUG TOOL BEFORE OPENING GUARD!

TO OPEN GUARD, push down on knob "F" (Figure 5) and turn it clockwise (facing top of knob) until it stops (a turn of about 90°). The guard may now be opened as in Figure 5. WHEN CLOSING GUARD, be sure that arm "G" (Figure 5) fits into slot "H". Push in knob "F" and turn it counter-clockwise about 90° to hold guard closed.

BE SURE GUARD IS PROPERLY CLOSED BEFORE OPERATING EDGER.

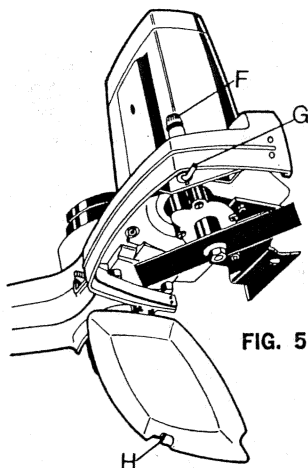


FIG. 5

BLADE

Be sure tool is unplugged!

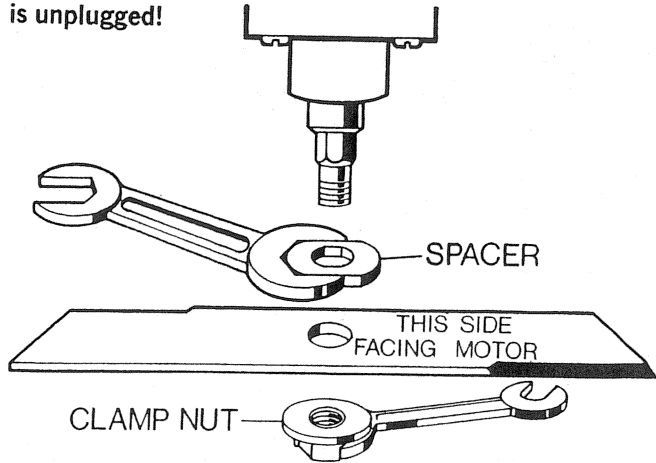


FIGURE 6

The Spacer, Blade and Clamp Nut should be attached to your Edger in the order shown above. Please check that the blade has been properly mounted before using your Edger.

To REMOVE the BLADE for replacement:

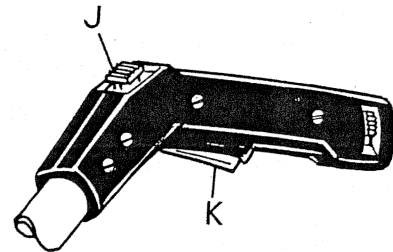
1. To keep shaft from turning as you loosen the clamp nut, use two wrenches (Figure 6).

To ATTACH the NEW BLADE:

1. Place Spacer on shaft — "flats" in spacer hole must engage "flats" on shaft.
2. Holding Spacer in place, put blade on shaft with beveled edges facing motor.
3. Hold blade against spacer and thread on Clamp Nut finger tight.
4. Tighten Clamp Nut with a wrench, using a second wrench to hold Spacer. This keeps shaft from turning as you tighten the nut.

SWITCH

FIG. 8



TO TURN TOOL "ON", slide trigger locking button "J", (Figure 8) backward with your thumb, and hold it back momentarily, while you squeeze the trigger switch "K". The trigger has been designed so that it is very easy to hold in the "ON" position.

TO TURN TOOL "OFF", merely release the trigger. The locking button will snap forward and prevent the trigger switch from being accidentally depressed.

OPERATION

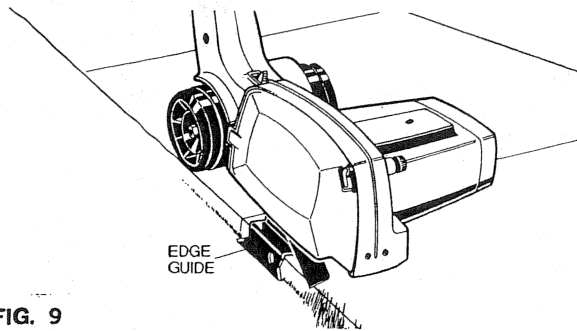


FIG. 9

NOTE: Your edger is a major appliance and should not be operated simultaneously with other major appliances on the same household circuit.

With the cutting head in the position shown in Figure 9, place tool so the edge guide rests against the edge of the paved surface. Both wheels must be on the paved surface. Turn switch "ON" and allow blade to spin without moving tool. This allows the blade to get a good start. Then move tool slowly along edge of paved surface, keeping the edging guide pressing lightly against the pavement edge. For the first edging each season, it is best to move forward slowly because grass is thickest then. Subsequent edgings will be completed more rapidly. If the tool slows down, back it an inch or two until the blade comes up to normal speed.

Do not attempt to edge when the grass or soil is wet or moist — for electrical safety and to prevent clogging of the blade chamber. If you must edge under soil conditions which cause the blade chamber to become clogged, **UNPLUG THE TOOL**, open the blade guard and remove clogged material **WITH A STICK**. To continue to operate the tool in a clogged condition will seriously overload the motor. **CAUTION** — Do not attempt to unclog the blade chamber by dropping or tapping the tool on the ground. This can damage the wheels. Keep hands clear of edge guide when cleaning as this part abrades to a very sharp point during edging.

The Cutting Head of the Edger can be adjusted so that the tool will also perform **TRENCHING** and **TRIMMING** operations. **CAUTION:** Be sure cutting head is in a locked position before operating tool.

To change the position of the cutting head:

1. **UNPLUG TOOL!**
2. Push button "L", Figure 10, in direction of arrow, holding it back momentarily as you start to rotate the cutting head. Release the button, continue rotating, and the cutting head will snap into a locked, 45° position for **TRENCHING**. In this position (Figure 11), the tool will cut a "V"-shaped trench along the edges of flower and shrubby beds, and around trees in preparation for sod removal. Be careful not to tip the front of the tool too far downward or it will dig too deep and stall the tool.
3. To put the cutting head in the **TRIMMING** position (Figure 12), hold the button ("L", Figure 10) back until you rotate the head past, or out of, the 45° Trenching position. Release button, continue rotating, and the head will snap into the locked, 90° Trimming position. Now, with the blade parallel to the ground, you can roll the tool forward for grass trimming. Trimming will be most efficient with a new or sharpened blade, as edging and trenching dull the cutting edges of the blade because of dirt abrasion.

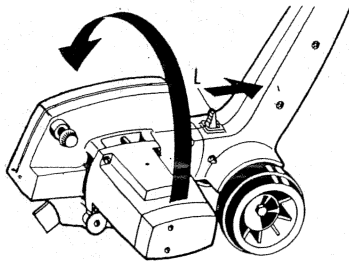


FIGURE 10

OPERATION (Continued)

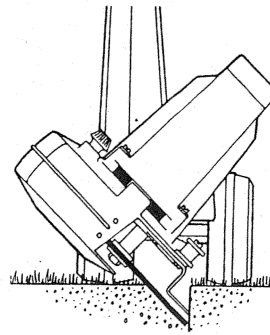


FIGURE 11

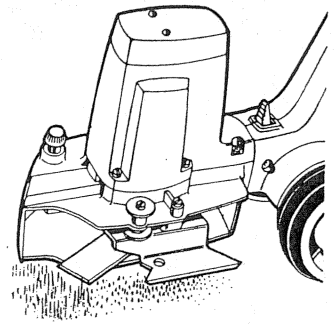


FIGURE 12

BLADE SHARPENING

UNPLUG TOOL

The blade can be sharpened in several different ways as follows. Whichever way you use, try to maintain the original cutting angle, and sharpen each cutting edge an equal amount. Only the outer, beveled edge of the blade should be sharpened. Bent or damaged blades should be replaced with **No. 82-024 Replacement Blade**.

USING HAND SHARPENING STONE — Open blade guard. Blade need not be removed. Being careful not to cut yourself, sharpen both beveled edges of the blade.

B&D No. 3306 BLADE SHARPENER — Wear safety glasses! Open blade guard and remove blade from tool. Use a vise to hold the blade in a convenient position and mount the sharpener in a 1/4" or 3/8" electric drill. Start the drill and, with the sharpener's plastic disc against the flat side of the blade, move the groove in the sharpener lightly back and forth along the beveled cutting edge — see Figure 13.

OTHER SHARPENING METHODS — Wear safety glasses! Remove blade from tool. Sharpen on a bench grinder, or, hold it in a vise and sharpen with a fine-tooth file or power disc sander.

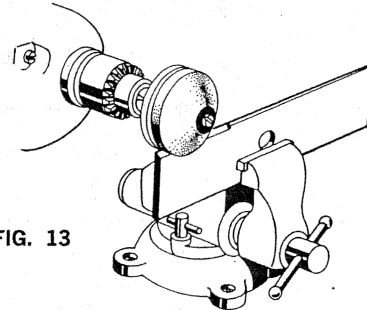


FIG. 13

PREVENTING CORROSION — STORAGE

Fertilizers and other garden chemicals contain agents which greatly accelerate the corrosion of metals. If you use the tool in areas where fertilizers or chemicals have been used, the tool should be cleaned immediately afterward as follows: (1) **BE SURE THE TOOL IS UNPLUGGED**. (2) Open blade guard. (3) Wipe all exposed parts with a damp cloth.

When cleaning, **DO NOT** immerse tool in water or squirt it with a hose.

Do not store the tool on or adjacent to fertilizers or chemicals. Such storage can cause rapid corrosion.

ACCESSORIES

Use only Black & Decker No. 82-024 Blade and U.L. Listed "Outdoor" Extension Cords with your Edger-Trimmer. **CAUTION:** The use of any other accessory might be hazardous. Wear B&D No. U2106 Safety Glasses or other eye protection when using the Edger.

CLEANING & LUBRICATION

Use only mild soap and a damp cloth to clean the tool. Many household cleaners contain chemicals which could seriously damage the plastic. Also, do not use gasoline, turpentine, lacquer or paint thinner, dry cleaning fluids or similar products. Never let any liquid get inside the tool; never immerse any part of the tool into a liquid.

Self lubricating bearings are used in the tool and periodic relubrication is not required. However, it is recommended that, once a year, you take or send the tool to a B&D Service Center for a thorough cleaning, inspection and lubrication of the gear case.

IMPORTANT

To assure product SAFETY and RELIABILITY, repairs, maintenance and adjustment, (including brush inspection and replacement) should be performed by Black & Decker Service Centers or other qualified organizations, always using Black & Decker replacement parts. When servicing Double-Insulated Tools, USE ONLY IDENTICAL REPLACEMENT PARTS.

HOME USE WARRANTY (A FULL ONE YEAR WARRANTY)

Black & Decker warrants this product for one year. We will repair, without charge, any defect due to faulty material or workmanship, or at our option, replace the product free. Please return the complete unit, transportation prepaid, to any Black & Decker Service Center or Authorized Service Station listed under "Tools Electric" in the yellow pages. This warranty does not apply to accessories. This warranty gives you specific legal rights and you may have other rights which vary from state to state. Should you have any questions, contact your nearest Black & Decker Service Center Manager.



**THE BLACK & DECKER MFG. CO.
Towson, Md. 21204, U.S.A.**

Form No. 722059-01 (SEP76-AL) Printed in U.S.A.